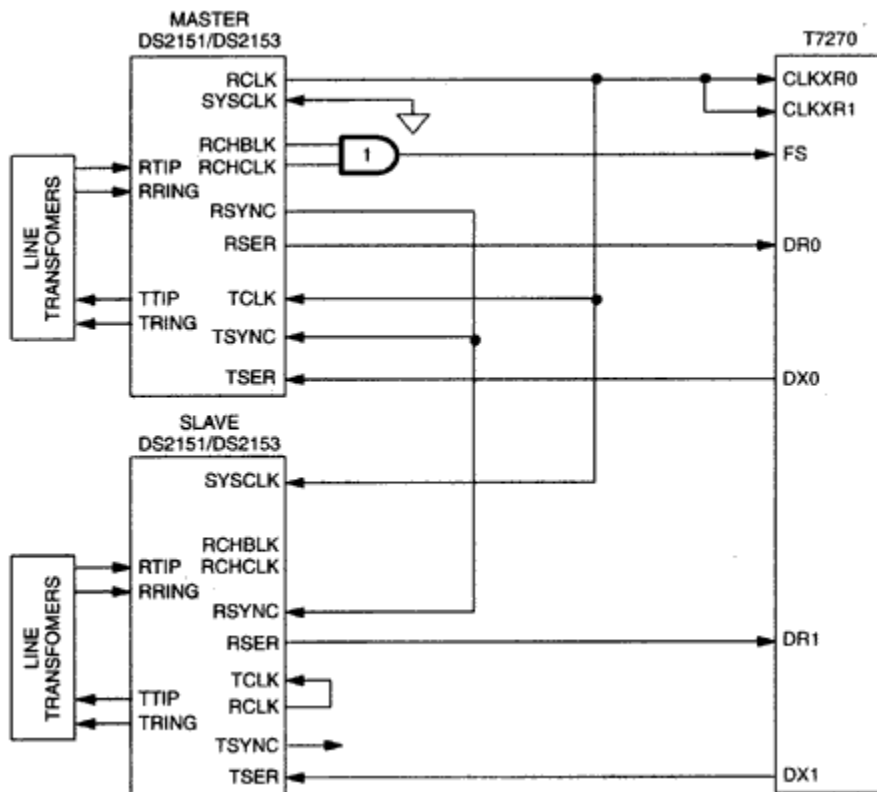


App Note 304: DS2151, DS2153 Interfacing to the AT&T T7270



Notes:

1. CMS = 0 in the T7270.
2. Gate #1 is used to condition the frame sync to meet the timing requirements of the T7270.
3. In the master, no elastic stores are enabled; in the slave, both the receive and the transmit side elastic stores are enabled.
4. A "loop-timed" application is shown.
5. In the master, RCHBLK is programmed to go high during the last channel.
6. Timing is shown below:

